

KS-3 Datasheet



The KS-3 is designed with a small footprint, best suited for commercial installation projects that require audio quality with minimal visual impact. The extended bass response adds extra functionality without the need of separate subwoofers.

The KS-3 has a coaxial driver design which achieves a 100° x 100° conical dispersion, the internal passive crossover ensures a flat, usable frequency response of 75 Hz to 20 kHz and a maximum SPL of 115 dB (peak).

The discreet look makes them fit any style of décor. The 1 x 8" coaxial mid-high driver + dome tweeter creates a level of clarity and detail which is rare in a cabinet of this size.

Sharing voicing characteristics with the rest of the KS series allowing them to be used simultaneously, keeping a consistent tone.

Mounting options include integrated horizontal cradle fixing points for use with the KC-3 cradle and the rear pan and tilt bracket PTS. Other fixings can be used with this cabinet such as the small wall bracket (SWB) and pan and tilt pole mount adaptor (SS-A). The rear connector plate has binding post connections fitted as standard.

Custom RAL colours are available on request to make their appearance even more seamless with the surroundings. The discreet design with perforated grill front and acrylic textured paint finish and multiple integrated fixing points achieves a high class look suitable for any application.

Weather resistant version is available with gland back plate, Polyurethane plus enamelled paint finish and metal grill front and 100 v transformer with 3.75, 7.5, 15, 30 and 60 W tap settings.

Use in conjunction with KS or BRS subwoofers for extended bass dynamics.

Multiple mounting points with an array of optional hardware ensure they can be installed in most orientations.

Key Features:

- Hi-Fi grade components give extended 75 Hz frequency response
- Defined and accurate 100° x 100° dispersion minimises reflection and feedback issues
- Compact coaxial

Technical Specifications

Design

1 x 8" Mid High Cabinet,
Reflex Tuning

Impedance

8 Ohm,

Power Handling (AES)

125 Watts (continuous)

Max. Power Handling (AES)

250 Watts (program)
500 Watts (peak 10 ms)

Sensitivity 2.83V / 1m

88.5 dB

Max. SPL

109 dB cont
115 dB peak

Frequency Response (± 3 dB)

75 Hz - 20 kHz

Dispersion

100° x 100°

SYSTEM OPERATION

Recommended Amplification

125 - 250 Watts

System Controller

Ohm DSP Solutions

Speaker Cables

Min - 2 x 2.5 mm²
Preferred - 2 x 4 mm²

PRODUCT FEATURES

Components

1 x 8" Coaxial Low Frequency Driver with
Dome tweeter

Crossover

Passive - 3.6 kHz
Active - * LPF -
HPF - 100 Hz

Connectors

2 x Binding post Connectors

Dimensions (H x W x D mm)

250 x 350 x 250

Weight (kg)

6.6

Shipping Weight (kg)

14.7 (2 cabinets per carton)

Colour

Black

Options

Available in white or RAL colours on request

Rigging

6 x M8 mounting points for installation
brackets/cradles and stand mounting.

HARDWARE

Fitted as Standard

Small Cast aluminium top hat, Blanking plate

Optional

KC-3 Cradle Vertical, SWB small wall bracket,
PTS small pan and tilt bracket, S-SA stand
adaptor, SS-1 speaker stand, TP-1 adjustable
threaded pole.

Additional Descriptive Data

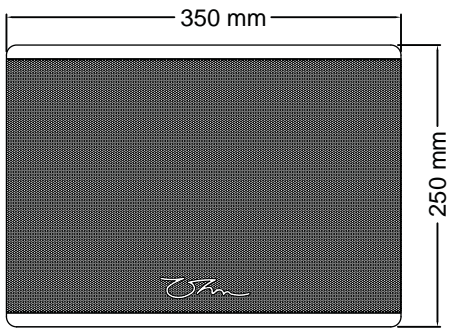
MDF construction, with durable scratch
resistant black textured paint finish, kick-
proof steel grill and black foam with Ohm
logo.

**Recommended filter settings are available on
the website ohm.co.uk/downloads**

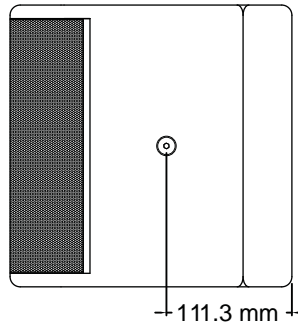
* All presets from the OHM library.

KS-3 Dimensions

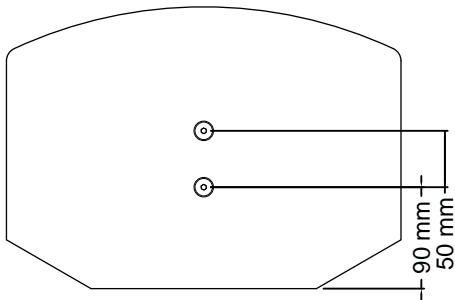
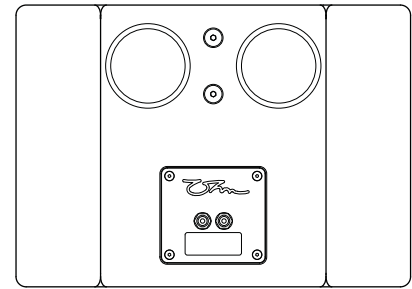
Front



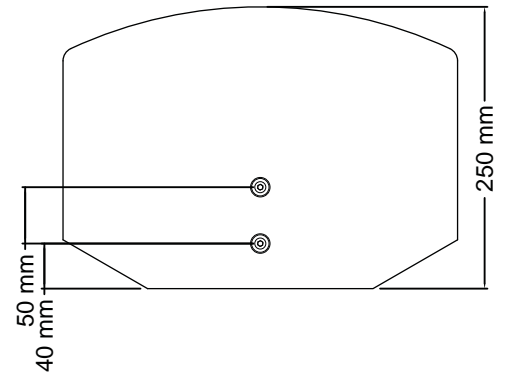
Side



Back



Bottom



Top

Further technical drawings for architectural requirements are available in DXF and DWG format for download on the website.

Architects' & Engineers' specifications:

2-Way dynamic loudspeaker in a multi purpose enclosure design, housing 1 x 8" Coaxial Mid-High Driver with Dome tweeter. Homogeneous radiating behaviour and linear response. Integrated passive crossover with phase optimization. Constructed from MDF, eco-friendly scratch resistant textured paint, 2 x M8 flying points for cradle mount, 6 x M8 Mounting for ohm Proprietary bracket, kick-proof steel grill with Ohm logo

Technical Data:

Frequency Response: 75 Hz - 20 kHz (± 3 dB), Continuous SPL: 109 dB/1m, Program SPL 112 dB/1m, Peak 115 dB/1 m. Power Handling: 125 Watt cont. IEC268 AES, Maximum Power Handling: 250 Watt prog. / 500 Watt peak, Impedance Nominal: 8 ohm, Dispersion Nominal: 100° x 100° (hor. x vert.), Connectors: 2 x Binding posts. Dimensions (H x W x D): 250 mm x 350 mm x 250 mm, Weight: 6.6 kg. Options: RAL colours available to order.

Safety Instructions

Professional speaker systems are able to produce sound pressure levels that could harm your health.

Never stand directly in front of loudspeakers for long periods. Whilst not immediately apparent to the listener, sound pressure levels in excess of 90dB@1m can be hazardous to the hearing.

Please refer to the following advice when setting up or dismantling OHM speaker systems.

1. Be sure to leave adequate distance between speakers and the public. Refer to your local authority for Health and Safety guidance when using loudspeaker systems.
2. Be sure to have safe and stable ground for your speakers, particularly when using speaker stands.
3. When stacking speaker systems, ensure they are secured to prevent individual speakers from falling down or moving around.
4. Only use OHM mounting hardware, as this has been specified and approved by AURAL LTD, OHM (UK) LTD for use with OHM speakers.
5. When flying speakers, appropriate materials and techniques must be employed in order to safely suspend enclosures, taking care to allow for specified enclosure weight.
6. Please observe any special instructions that appear on specific loudspeaker data-sheets.
7. Check your speaker hardware and flying material regularly for any visual or mechanical failure. Replace damaged or suspect items when necessary.

Safety Instructions Cont.

8. Only use OHM DSP Solutions. Only technicians authorised by AURAL LTD, OHM (UK) LTD are qualified to program digital controllers. Take note of recommended controllers as specified on the datasheets. Do not use OHM loudspeaker systems without the correct controller. If a system fails due to incorrect controller use, warranty is void.

9. Protect your speakers and electronics from freezing and do not expose them to humidity, water or rain without protection.

OHM loudspeakers and electronics are covered against defects in workmanship or materials for a period of two (2) years from original date of purchase. At the discretion of AURAL LTD, OHM (UK) LTD, the defective item will be repaired/replaced with no charge for materials or labour. The item is to be adequately packed and dispatched, pre-paid, to an OHM authorised distributor/service centre. Unauthorised repair shall void the warranty. The OHM warranty does not cover cosmetics or finish and does not apply to any item which in OHM's opinion has failed due to user abuse, accident, modifications or any type of misuse.

Disclaimer

Copyright © 2017 AURAL LTD, OHM (UK) LTD

The content of this datasheet is protected by U.K. and foreign copyright law and is for the private use of users of OHM products. Unauthorised use of the contents of this datasheet may violate copyright, trademark and other laws.

THE CONTENT OF THIS DATASHEET IS PROVIDED FOR INFORMATIONAL PURPOSES ONLY, AND IS SUBJECT TO CHANGE WITHOUT NOTICE.

AURAL LTD, OHM (UK) LTD MAKES NO REPRESENTATION ABOUT ACCURACY, RELIABILITY OR TIME-LINES OF THE CONTENT OF THIS DATASHEET OR THE RESULTS TO BE OBTAINED FROM USING ANY PART OF SUCH CONTENT. ALL WARRANTIES, EXPRESS OR IMPLIED RELATED TO SUCH CONTENT, INCLUDING THE WARRANTY OF MERCHANT AND FITNESS FOR A PARTICULAR PURPOSE, ARE DISCLAIMED.

Technical specifications, dimensions, weights and properties do not represent guaranteed qualities. This datasheet does not include all of the details of design, production or variations of the equipment.

G.S.S.S.[™], S.A.L.T.[™] Plate Array Skeleton[™], Zero Acoustic Signature, Technology[™] and H.T.V.C.[™] are trademarks of OHM (UK) LTD. All third-party trademarks mentioned herein are the property of their respective owners.