

## TRS-118A Datasheet



The TRS-118A is a self powered 1 kw, reflex loaded subwoofer that gives a highly detailed transient response. This cabinet is ideal for portable or fixed installation in venues which are tight on space. Incorporating Ohm's TRS stacking system which ensures secure mounting of multiple TRS-118/A's cabinets. Ground stacking is also possible with Vela and Cora line array cabinets.

Using a high-power, 1 kW Class D amplifier with integrated DSP and full FIR-filtering. Signal XLR Input and link output along powerCON® TRUE1 power and output are provided on the amplifier connection plate. LED indicators for signal present, peak, RMS and clip situations are also included.

This power is fully controlled & protected and coupled to a simplified back panel which removes unauthorised modification with pre-set selection and adjustments to gain, combined with peak and RMS limiting, give issue-free installation and performances.

Using our proprietary 18" cast aluminium chassis driver, the cabinet has a frequency response of 26 Hz to 120 Hz (- 10 dB) and an SPL of 133 dB (peak). All this performance is built into a cabinet that weighs 49 kg. An impedance of 8 Ohms allows easy daisy-chaining and amplifier efficiency maximisation.

The robust enclosure has a HEX design front grill, hardwearing Polyurea paint finish and two bar handles on each side. Integrated rubber feet are located on underside of the enclosure for securing in multiple ground stack positions on TRS-218/A and additional TRS 118/A subwoofers. Cups are countersunk into the top of the enclosure to lock in additional TRS-118/A.

The rear connection plate has two input and two link XLR connectors and a powerCON® TRUE1 input and link fitted as standard.

Available separately is a TRS-118 dolly-board enabling easy, single person movement between venues.

#### **Key Features:**

- Tough Polyurea coating
- Reticulated weatherproof foam covered powder-coated Zintec steel grills
- Dual layer thermal relief driver technology
- Aerospace grade 7075-T6511 aluminium flying points
- TRS Interlocking stacking system
- Heavy duty recessed steel handles
- Touring grade cabinets
- Integrated Class D Power module
- World-wide voltage compatibility
- Module power efficiency of 89%
- Full FIR-filtered DSP with linear phase outputs
- Fully integrated Look-Ahead and RMS limiters
- Rebated Baltic Birch Plywood construction
- Full input and output protection modes
- 32 bit floating-point signal processing
- Analog Devices Sharc processor
- Wide dynamic range 128dB(A) input converter
- Genuine Neutrik® Signal and Power connectors

# Technical Specifications

## Design

1 x 18" Active Full Range with integrated FIR-DSP, Reflex Tuning

## Internal Power Amps

1000 w

## Internal DSP

Full FIR-DSP with linear phase X-over and linear phase loudspeaker equalization

## Sensitivity Chassis 1w/1m

100 dB

## Max. SPL

129 dB cont. / 133 dB peak (frequency dependent)

## Frequency Response ( $\pm 3$ dB)

31 Hz – 111 Hz

## Usable Frequency Range (-10 dB)

26 Hz – 120 Hz

## Dispersion

Omni

## SYSTEM OPERATION

### System Controller

Ohm DSP Solutions

### Input connection

Symmetrical XLR input, 2 x 10 K ohm Impedance with parallel link out

### Protection

Internal multiband Peak and RMS Limiter, thermal limiter and protection on Amplifier

## PRODUCT FEATURES

### Components

1 x 18" Low Frequency Driver

### Crossover

-

### Connectors

1 x XLR female, 1 x XLR male and 1 x powerCON® True1 connector

## Dimensions (H x W x D mm)

584.3 x 576 x 746

## Weight (kg)

49

## Shipping Weight (kg)

50(1 cabinet per carton)

## Colour

Black

## Options

Available in white or RAL colours on request

## Rigging

Foot and cup stacking system.

## HARDWARE

### Fitted as Standard

Foot and cups stacking system, large bar handles. TP-1P Threaded adaptor plate.

### Optional

TP-1 Adjustable threaded pole, TRS-118 dolly board.

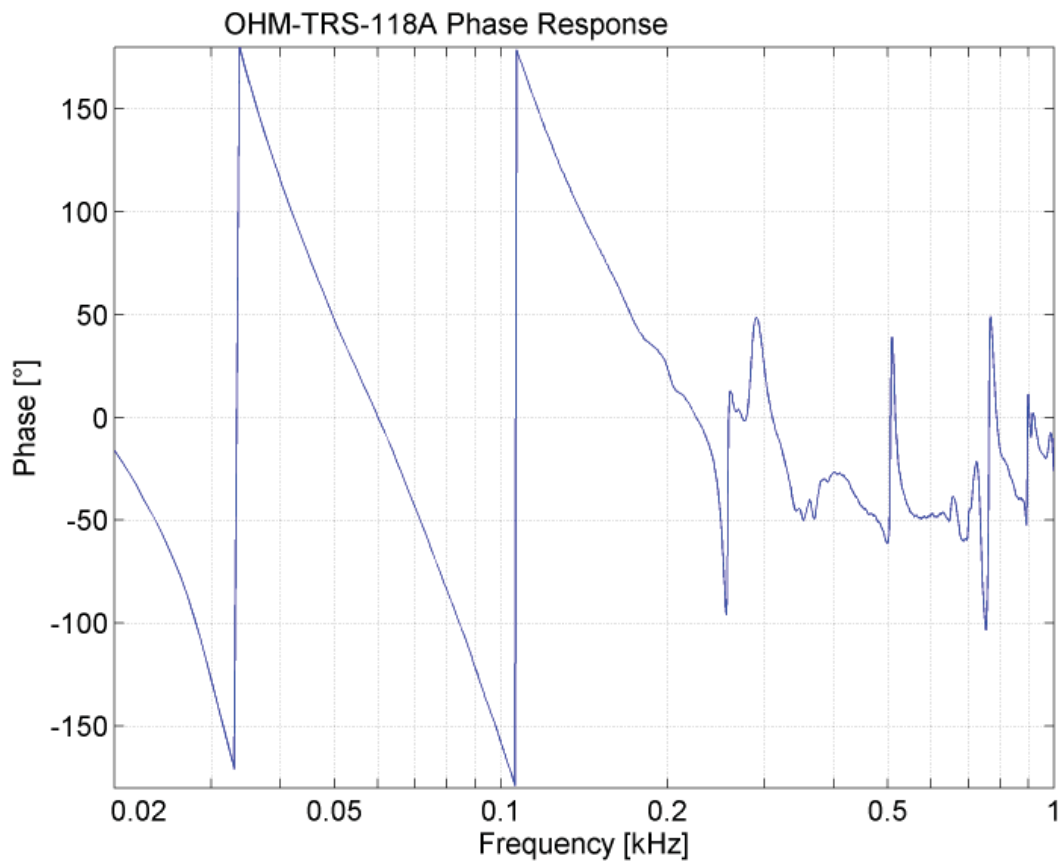
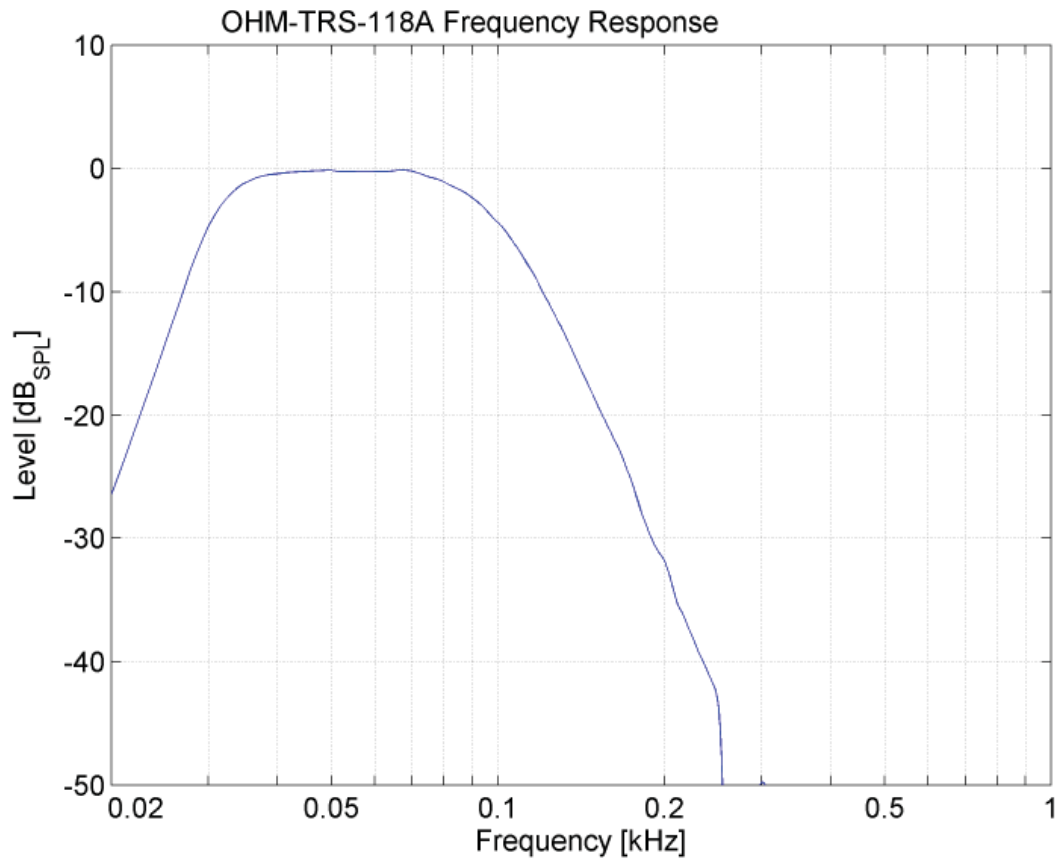
### Additional Descriptive Data

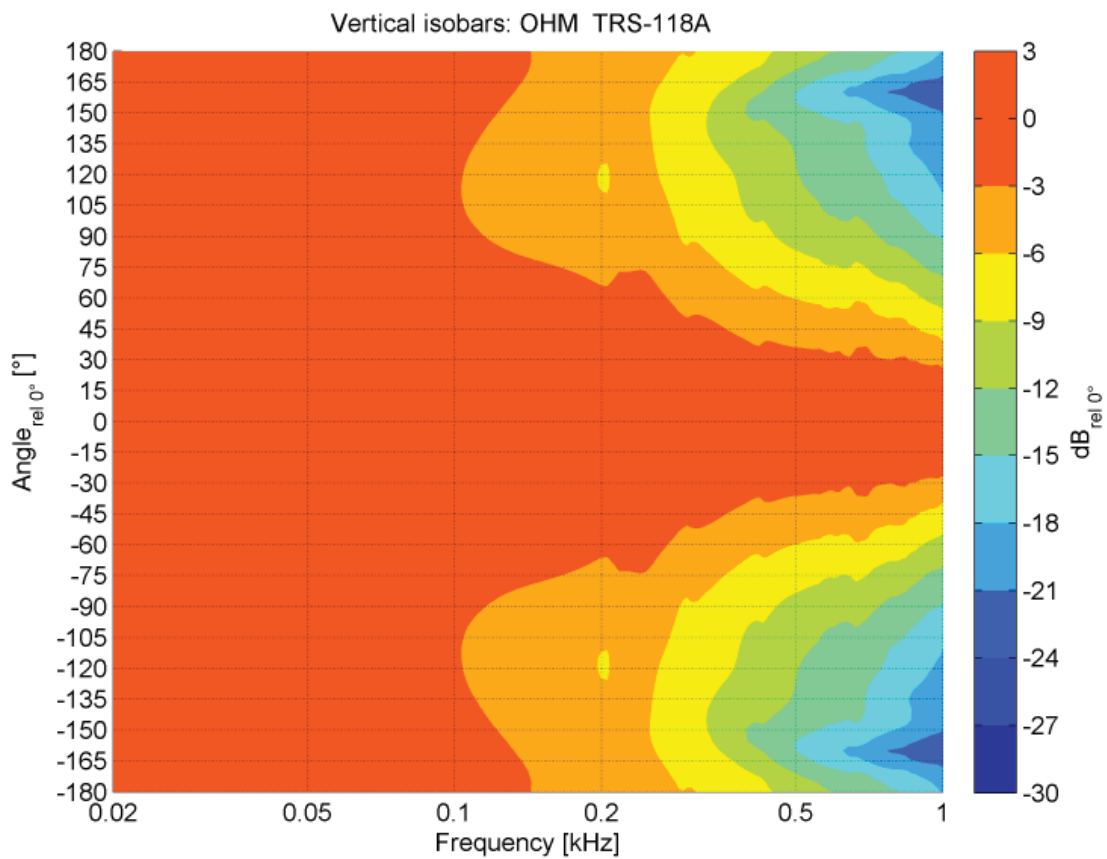
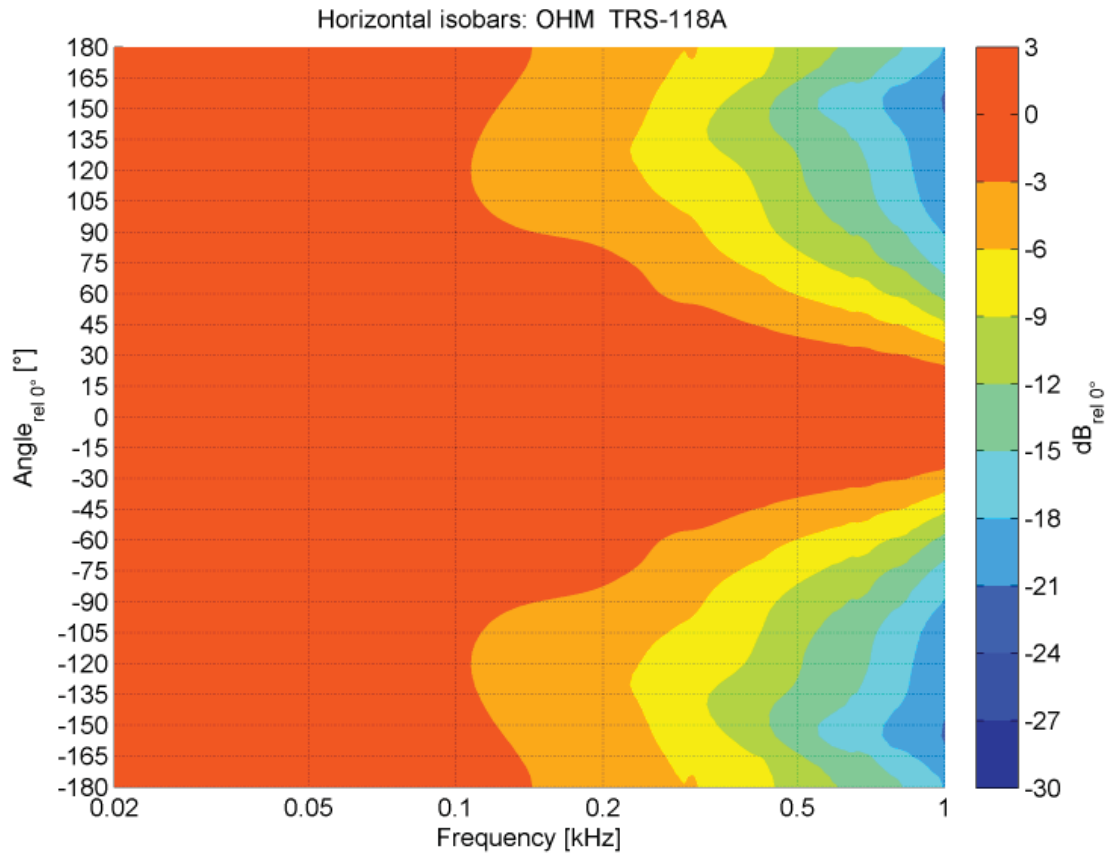
Birch plywood construction, with durable scratch resistant black polyurea textured paint finish, kick-proof steel grill and internal black foam with Ohm logo.

### Recommended filter settings are available on the website [ohm.co.uk/downloads](http://ohm.co.uk/downloads)

\* All presets from the OHM library.

## TRS-118A Measurements

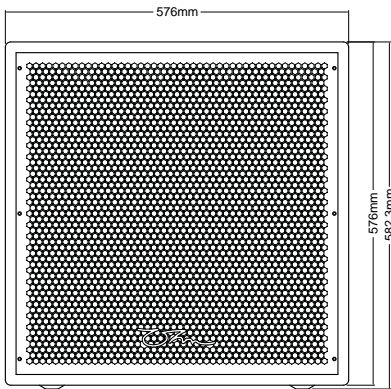




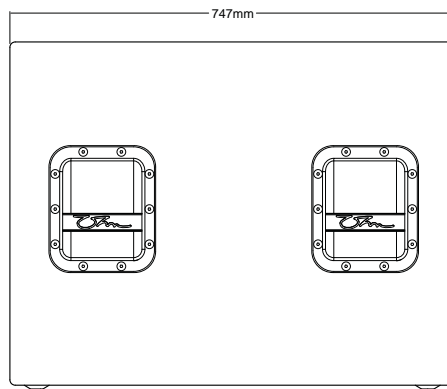
All Measurements are executed by the IFAA Institute for Acoustics in Aachen, Germany  
 measurement conditions 4PI environment for full range cabinets, 2Pi environment for subwoofers.

## TRS-118A Dimensions

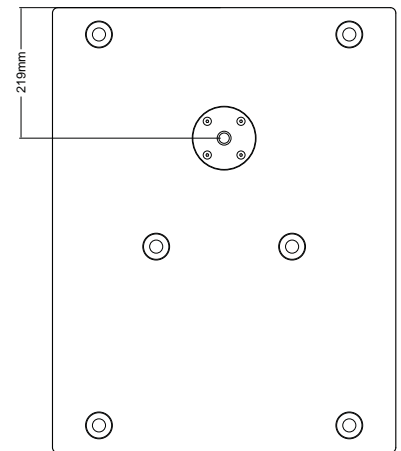
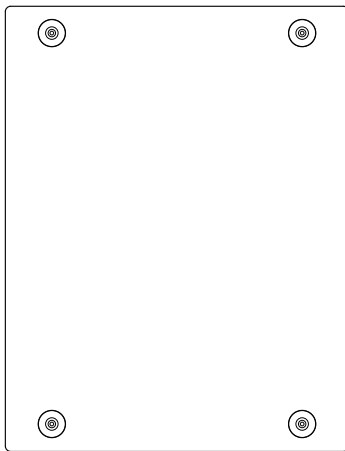
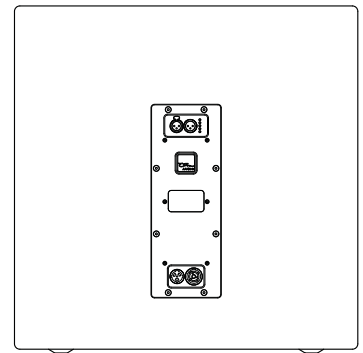
Front



Side



Back

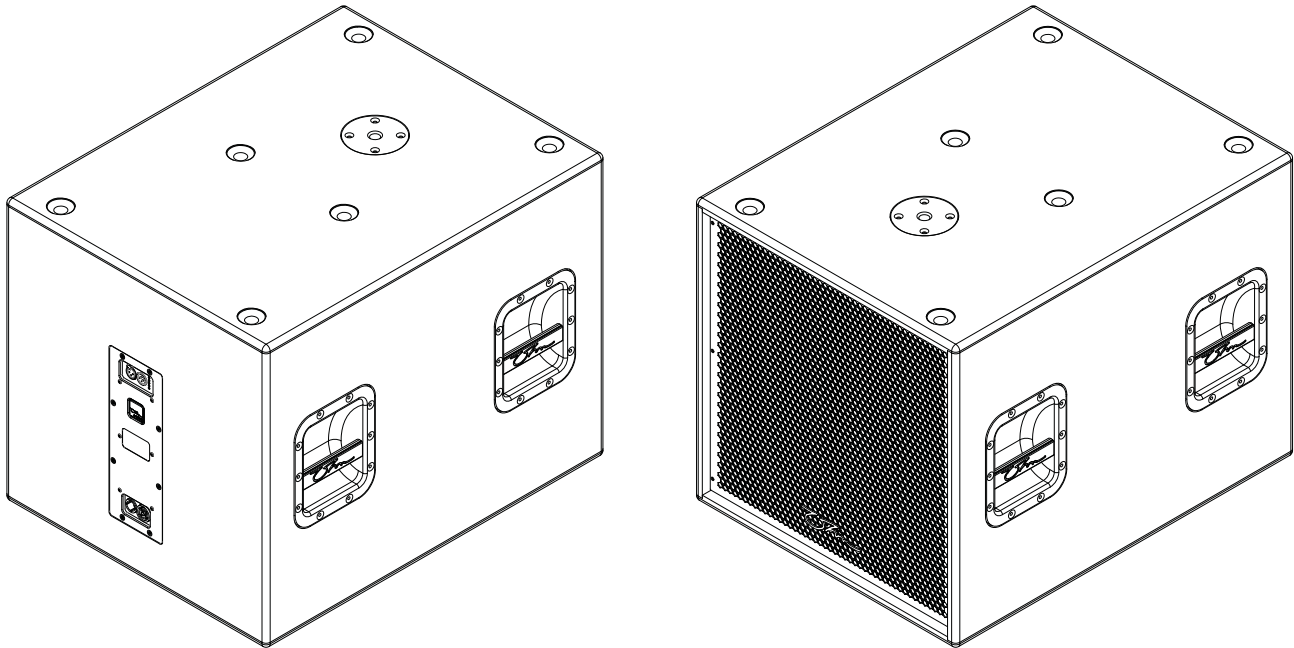


Bottom

Top

Further technical drawings for architectural requirements are available in DXF and DWG format for download on the website.

## TRS-118A 3D View



## Accessories and Spare Parts

- Foot and cups stacking system
- Large bar handles
- TP-1P Threaded adaptor plate
- TP-1 Adjustable threaded pole
- TRS-118 steel grill assembly
- TRS-118A Amplifier
- 1 x 18" low frequency driver
- Steel OHM logo
- TRS-118 dolly board.

## Architects' & Engineers' specifications:

2-Way dynamic loudspeaker in a multi purpose enclosure design, housing 1 x 18" proprietary OHM low mid bass driver, internally and externally ventilated double sided high temperature voice coil. Integrated active amplifier. Constructed from different multi-laminated wood, eco-friendly scratch resistant paint, skid-proof rubber feet and cup system, ergonomic carry handle, kick proof steel grill finished with internal reticulated foam and Ohm logo.

## Technical Data:

Frequency Response: 26 Hz – 120 kHz (-10dB), 31 Hz – 111 Hz ( $\pm 3$  dB), Continuous SPL: 129 dB/1m, Peak SPL 133 dB/1 m, Maximum Output: 1000 Watt LF, Dispersion Omni. Connectors: 1 x XLR female, 1 x XLR male and 1 x powerCON® True1 connector. Dimensions (H x W x D): 584.3 mm x 576 mm x 746 mm, Weight: 49 kg. Options: Durable scratch resistant black textured polyurea paint finish. RAL colours available to order.

## Safety Instructions

Professional speaker systems are able to produce sound pressure levels that could harm your health.

Never stand directly in front of loudspeakers for long periods. Whilst not immediately apparent to the listener, sound pressure levels in excess of 90dB@1m can be hazardous to the hearing.

Please refer to the following advice when setting up or dismantling OHM speaker systems.

1. Be sure to leave adequate distance between speakers and the public. Refer to your local authority for Health and Safety guidance when using loudspeaker systems.
2. Be sure to have safe and stable ground for your speakers, particularly when using speaker stands.
3. When stacking speaker systems, ensure they are secured to prevent individual speakers from falling down or moving around.
4. Only use OHM mounting hardware, as this has been specified and approved by AURAL LTD, OHM (UK) LTD for use with OHM speakers.
5. When flying speakers, appropriate materials and techniques must be employed in order to safely suspend enclosures, taking care to allow for specified enclosure weight.
6. Please observe any special instructions that appear on specific loudspeaker data-sheets.
7. Check your speaker hardware and flying material regularly for any visual or mechanical failure. Replace damaged or suspect items when necessary.



## Safety Instructions Cont.

8. Only use OHM DSP Solutions. Only technicians authorised by AURAL LTD, OHM (UK) LTD are qualified to program digital controllers. Take note of recommended controllers as specified on the datasheets. Do not use OHM loudspeaker systems without the correct controller. If a system fails due to incorrect controller use, warranty is void.

9. Protect your speakers and electronics from freezing and do not expose them to humidity, water or rain without protection.

OHM loudspeakers and electronics are covered against defects in workmanship or materials for a period of two (2) years from original date of purchase. At the discretion of AURAL LTD, OHM (UK) LTD, the defective item will be repaired/replaced with no charge for materials or labour. The item is to be adequately packed and dispatched, pre-paid, to an OHM authorised distributor/service centre. Unauthorised repair shall void the warranty. The OHM warranty does not cover cosmetics or finish and does not apply to any item which in OHM's opinion has failed due to user abuse, accident, modifications or any type of misuse.

## Disclaimer

Copyright © 2017 AURAL LTD, OHM (UK) LTD

The content of this datasheet is protected by U.K. and foreign copyright law and is for the private use of users of OHM products. Unauthorised use of the contents of this datasheet may violate copyright, trademark and other laws.

THE CONTENT OF THIS DATASHEET IS PROVIDED FOR INFORMATIONAL PURPOSES ONLY, AND IS SUBJECT TO CHANGE WITHOUT NOTICE.

AURAL LTD, OHM (UK) LTD MAKES NO REPRESENTATION ABOUT ACCURACY, RELIABILITY OR TIME-LINES OF THE CONTENT OF THIS DATASHEET OR THE RESULTS TO BE OBTAINED FROM USING ANY PART OF SUCH CONTENT. ALL WARRANTIES, EXPRESS OR IMPLIED RELATED TO SUCH CONTENT, INCLUDING THE WARRANTY OF MERCHANT AND FITNESS FOR A PARTICULAR PURPOSE, ARE DISCLAIMED.

Technical specifications, dimensions, weights and properties do not represent guaranteed qualities. This datasheet does not include all of the details of design, production or variations of the equipment.

G.S.S.S.<sup>™</sup>, S.A.L.T.<sup>™</sup> Plate Array Skeleton<sup>™</sup>, Zero Acoustic Signature, Technology<sup>™</sup> and H.T.V.C.<sup>™</sup> are trademarks of OHM (UK) LTD. All third-party trademarks mentioned herein are the property of their respective owners.